

# Pachinko Cabinet Assembly Instructions

## Hardware include in kit

2 1-1/2" Entry Door Hinges  
14 #8 x 1-1/2-in Wood Screws  
8 1-3/4"-Pocket Hole Screws  
2 #6 x 5/8-in Sheet Metal Screws  
2 2 1/2-in Wood Screws  
2 Pocket Hole Plugs  
1 Ball Deflector  
1 Lost Ball Tray  
1 Ball Tray Door  
1 Lost Ball Ramp Support Left  
1 Lost Ball Ramp Support Right  
1 Machine Ball Deflector  
1 Lost Ball Ramp Right  
1 Lost Ball Ramp Left  
1 Upper Ball Tray Ramp Right

1 Upper Ball Tray Ramp Left  
1 Upper Ball Tray Ramp Support Left  
1 Upper Ball Tray Ramp Support Right  
1 Machine Stop Left  
1 Machine Stop Right  
1 Ball Tray Front  
1 Bottom Shelf  
1 Cabinet Bottom  
1 Cabinet Side Left  
1 Cabinet Side Right  
1 Ball Tray Bottom  
1 Upper Ball Tray Door  
1 Back Bottom  
1 Wall Mount Cleat  
1 Back Top

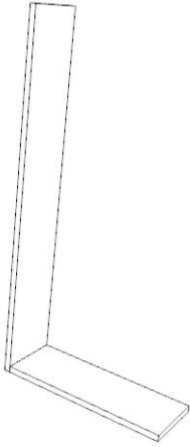


## Tools Needed

#2 Square Driver  
#2 Phillips Driver  
Drill  
Tape Measure  
Glue

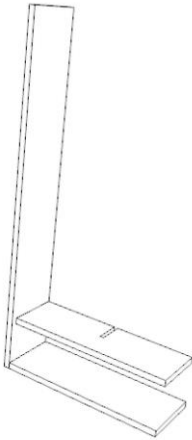
**Step 1**

Attach bottom of cabinet to left side of cabinet with 1-3/4"-Pocket Hole Screw.



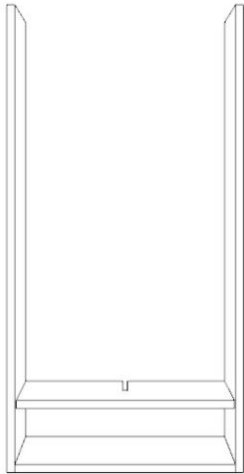
**Step 2**

Attach bottom shelf of cabinet to left side of cabinet with 1-3/4"-Pocket Hole Screw.



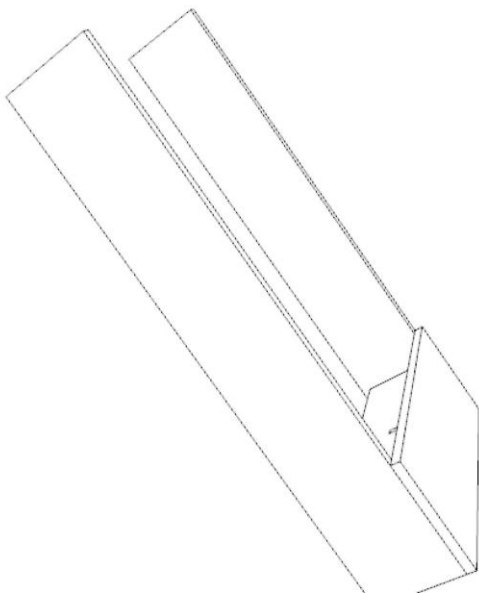
**Step 3**

Attach the right side of cabinet to assembly with 1-3/4"-Pocket Hole Screws.



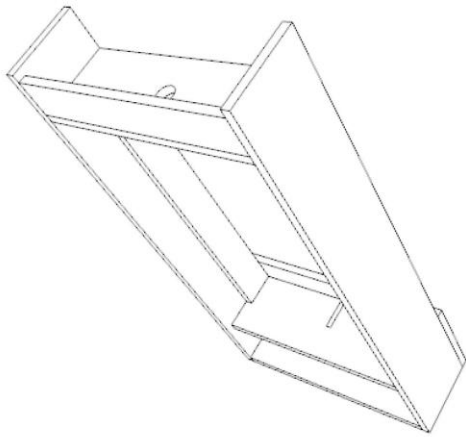
**Step 4**

Install lower back of cabinet with #8 x 1-1/2-in Wood Screws. (Be sure to square the cabinet when doing this)



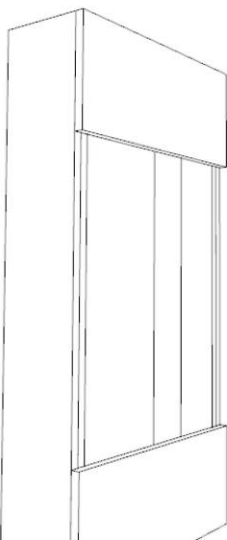
**Step 5**

Install ball tray in cabinet with 1-3/4"-Pocket Hole Screws.



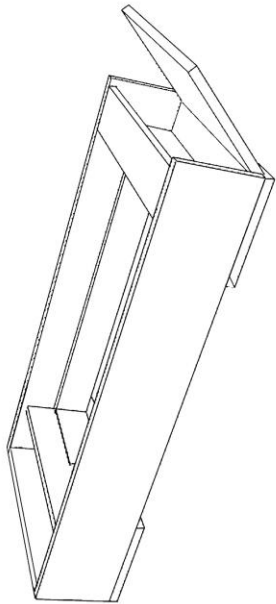
**Step 6**

Install top back with #8 x 1-1/2-in Wood Screws. (Be sure to check square of cabinet when doing this)



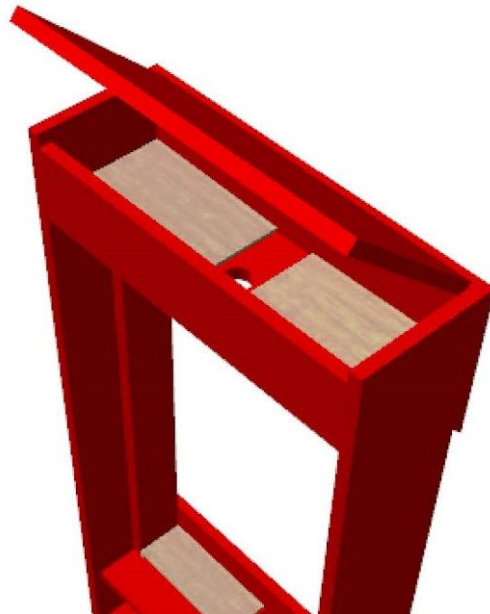
Step 7

Install hinges to top door and install on cabinet using the 2 1-1/2" Entry Door Hinges (be sure to center door in opening)



Step 8

Install the 2 pocket hole plugs in the bottom cabinet let glue dry and sand smooth, paint or stain your cabinet.



### Step 9

Install machine ball deflector mounted on bottom of machine in back, under lost ball exit. Slope to back, making a ramp so the lost balls and win balls deflect to the back of the cabinet on to the lost ball ramps after leaving the machine. Use 2 #6 x 5/8-in Sheet Metal Screws



### Step 10

Install machine in cabinet with #6 x 1-1/4-in Wood Screws thru from inside the machine frame in to sides of cabinet

### Step 11

Mounting: The cabinet will be heavy with a machine and balls installed. So use the wall cleat to support the cabinet by picking a spot where you want it and then mount the wall cleat to a stud in wall to be able to hook the top back of the cabinet. The ideal way to mount the wall cleat is on two studs but that is only if the studs are 16" apart. Use the two outside holes on the cleat. If there is only one stud you can use, then use the top and bottom holes in center of the cleat. With both screws hitting the same stud, you want the main attraction in the center of the playing field to be at eye level. (Remove machines before mounting and reinstall after mounting cabinet to wall)

### Step 12 (Optional)

Installing a 1 3/4" cam lock to open machine without removing from the wall. Use the latch from the cam lock to judge where to drill 3/4" hole for cam lock, you want to place it to where it trips the machine door release when you turn the key. Placement will change due to machine make and model. Lock hole (for a Nishijin model-A&B, and for a Nishijin model-B&C) have already been started. Option: If you are mounting two or more cabinets next to each other, you may want to countersink the lock head on the outside of cabinet.

